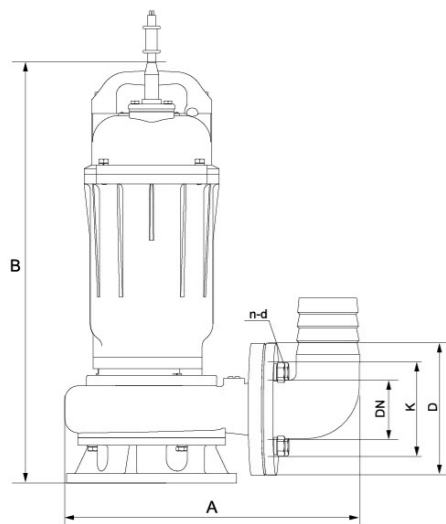


Dimensions & Weight



Model	Dim.(mm)			N.W.(kg)
	A	B	DN	
WQD6-12-0.55AF(120V/60Hz)	245	435	G1-1/2	19.0
WQD6-12-0.55A(220V/60Hz)	245	435	G1-1/2	19.0
WQD6-16-0.75A(120V/60Hz)	245	425	G1-1/2	21.0
WQD6-16-0.75F(120V/60Hz)	245	425	G1-1/2	21.0
WQ6-16-0.75A(220V-380V/60Hz)	245	435	G1-1/2	20.0
WQD6-16-0.75A(220V/60Hz)	245	425	G1-1/2	22.0
WQD6-16-0.75F(220V/60Hz)	245	425	G1-1/2	21.0
WQD10-10-0.75A(220V/60Hz)	297	440	50	26.0
WQ10-10-0.75A(220-380V/60Hz)	297	440	50	29.0
WQ15-7-0.75A(220-380V/60Hz)	297	435	50	30.0
WQD7-15-1.1A(115V/60Hz)	258	460	G1-1/2	28.0
WQD7-15-1.1A(220V/60Hz)	258	460	G1-1/2	28.0
WQ7-15-1.1A(220V-380V/60Hz)	254	460	G1-1/2	28.0
WQD15-9-1.1A(220V/60Hz)	314	454	50	29.0
WQ15-9-1.1A(220V-380V/60Hz)	316	468	50	29.0
WQ12-15-1.5A(220V-380V/60Hz)	340	540	50	36.0
WQ18-15-1.5A(220V-380V/60Hz)	347	540	50	41.0
WQ25-7-1.5A(220V-380V/60Hz)	333	542	65	35.0
WQ25-10-1.5A(220V-380V/60Hz)	331	534	50	38.0
WQ9-22-2.2A(220V-380V/60Hz)	326	556	50	42.0
WQ15-20-2.2A(220V-380V/60Hz)	341	556	50	45.0
WQ25-15-2.2A(220V-380V/60Hz)	370	570	65	45.0
WQ35-7-2.2A(220V-380V/60Hz)	369	567	65	45.0
WQ42-9-2.2A(220V-380V/60Hz)	367	593	65	47.0
WQ15-30-3A(220V-380V/60Hz)	345	550	50	48.0
WQ20-22-3A (220-380V/60Hz)	360	560	65	49.0
WQ25-20-3A(220V-380V/60Hz)	236	552	65	48.0
WQ37-13-3A(220V-380V/60Hz)	360	563	65	54.0
WQ43-13-3A(220V-380V/60Hz)	400	602	80	62.0
WQ50-7-3A (220-380V/60Hz)	402	602	80	62.0
WQ50-10-3A (220-380V/60Hz)	402	602	80	56.0
WQ40-15-4A(220-380V/60Hz)	402	661	80	74.0
WQ60-10-4A(220V-380V/60Hz)	452	704	100	75.0
WQ15-40-5.5A (220-380V/60Hz)	396	670	50	78.0
WQ30-30-5.5A(220-380V/60Hz)	405	710	80	81.0
WQ65-15-5.5A(220-380V/60Hz)	452	826	100	93.0
WQ65-20-7.5A(220-380V/60Hz)	498	733	100	115.0
WQ80-15-7.5A(220-380V/60Hz)	498	733	100	115.0
WQ100-10-7.5A(220-380V/60Hz)	495	730	100	118.0

Submersible Sewage Pump



WQ(D)-4P

Performance Range

Maximum flow: 88 (m³/h)
Maximum lift: 13m

Application Limits

- ⊙ The temperature of the medium shall not exceed +40°C ;
- ⊙ The PH value of the medium shall be 4~10;
- ⊙ The maximum density of the medium shall be 1.2×103kg/m³;
- ⊙ The frequency of the power supply shall be 60Hz; the voltage of the single-phase alternating current shall be 127V/230V and that of the three-phase alternating current shall be 230V; the voltage fluctuation range shall be ±10% of the rated voltage; and
- ⊙ The submersion depth shall be no less than 0.5m and no more than 5m.

Application

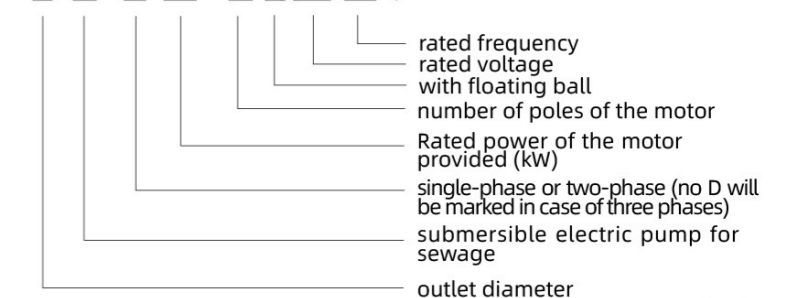
This series of electric pumps are widely applied to industry, agriculture, hotels, hospitals, construction, municipal services, environmental protection, and other sectors. A 50WQ (D) pump with the discharge capacity of 1.5 inches can be used to process sewage, waste water and flood containing particles below 1.5 inches, while a 80WQ (D) with the discharge capacity of 2 inches can be utilized for the treatment of sewage, waste water and flood containing particles below 2 inches. This kind of pumps can be employed to pump liquid containing solid particles such as fiber, paper scrapped, or silt or soft solid objects, like muddy water, dusty water, domestic wastewater, sewage, and slurry, serving as ideal hydraulic units for drainage of sewage and flood and onsite construction, which, however, cannot be used in any place with the requirement for explosion proofing or any explosive or flammable place or used to treat any explosive or flammable liquid like oil, gasoline, kerosene, or ethyl alcohol.

Features

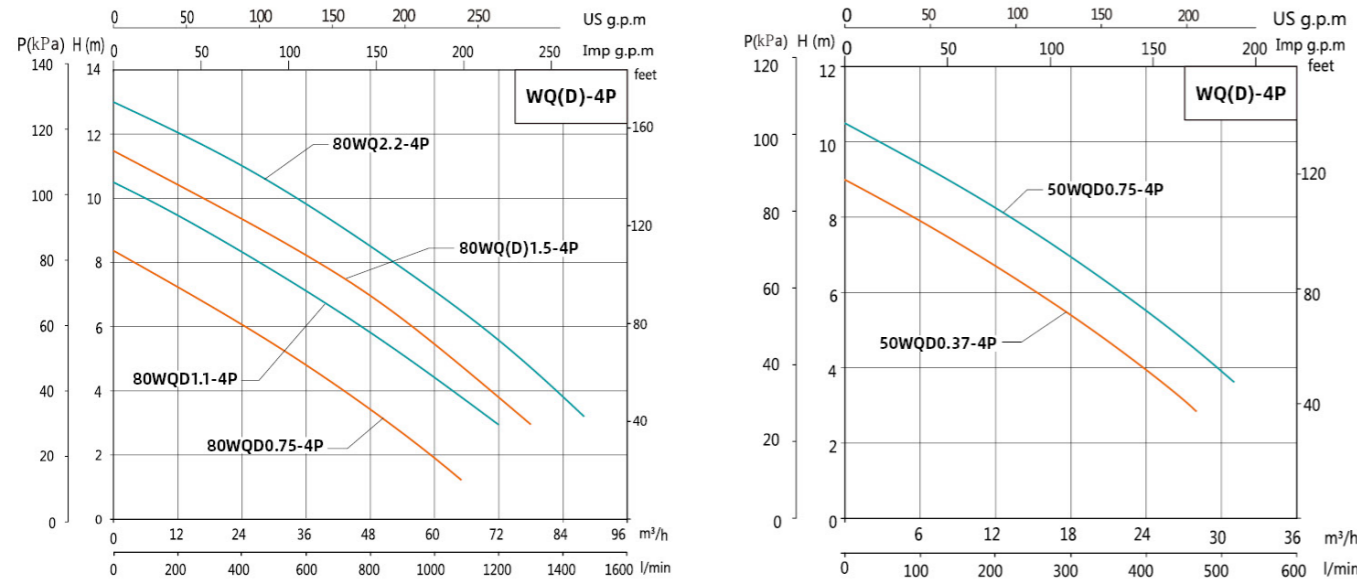
- ⊙ A oil-filled quadropole motor featured by steady and reliable operation.
- ⊙ The rotor spindle of an electric pump of this series is made through the friction welding of steel 45 and stainless steel 304, ensuring reliable mechanical strength and effectively improving the resistance of the spindle against abrasion and corrosion as well as assisting in the removal of the impeller for repair.
- ⊙ The impeller of the electric pump is made of QT450-10 which can effectively improve the abrasion performance of the impeller.
- ⊙ Two mechanical seals are connected in series, achieving stable performance and strong resistance against sand.
- ⊙ A diamond-shaped flange connector is good for change-over, which is convenient for change-over to a pipe with a different diameter, contributing to easy usage.
- ⊙ With strong discharge capacity: 1.5 inches for 50WQ (D) pump and 2 inches for 80WQ (D).

Model Instruction

50 WQ D 0.75 - 4P (F)(127V/60Hz)



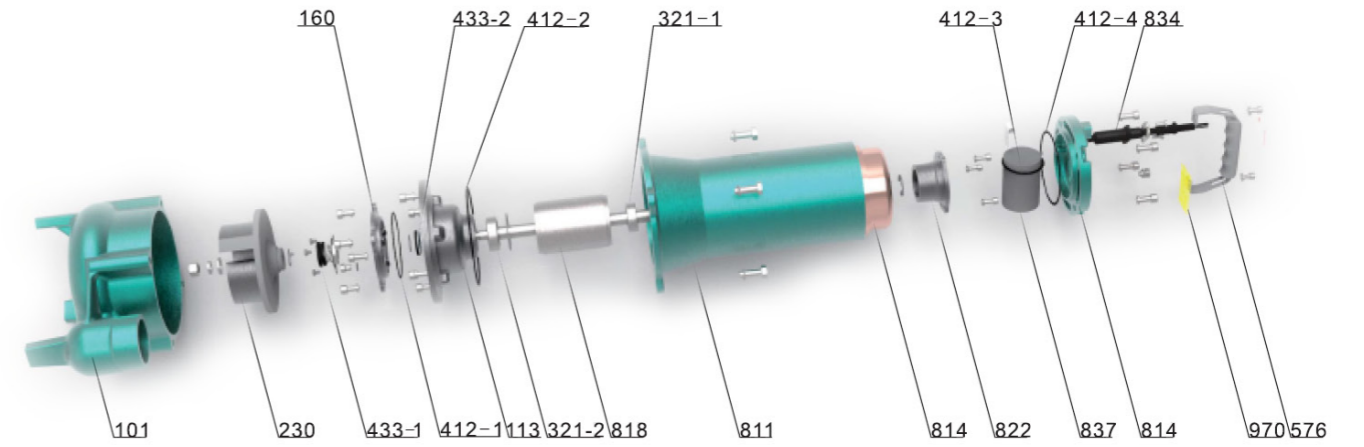
Performance Curve



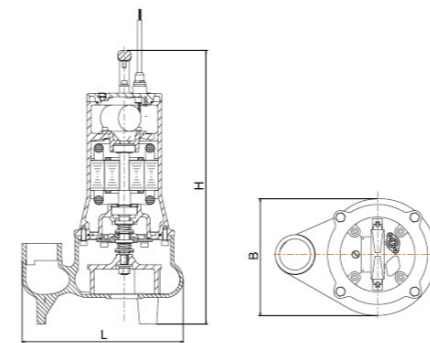
Model	Power		Rate Current (A)	Max. Flow (m³/h)	Max. Head (m)	Cable line (m)	Dim.mm (LxBxH)	G.W. (kg)	20' Loading Qty. (pcs)
	kW	HP							
50WQD0.37-4P(127V/60Hz)	0.37	0.5	7.5	28	9	3x1-8	330x230x550	30	320
50WQD0.37-4P(F)(127V/60Hz)	0.37	0.5	7.5	28	9	3x1-8	330x230x550	30	320
50WQD0.37-4P(230V/60Hz)	0.37	0.5	3.5	28	9	3x0.75-8	330x230x550	30	320
50WQD0.37-4P(F)(230V/60Hz)	0.37	0.5	3.5	28	9	3x0.75-8	330x230x550	30	320
50WQD0.75-4P(230V/60Hz)	0.75	1	6	31	10.5	3x0.75-8	330x230x600	34	320
50WQD0.75-4P(F)(230V/60Hz)	0.75	1	6	31	10.5	3x0.75-8	330x230x600	34	320
50WQD0.75-4P(127V/60Hz)	0.75	1	11	31	10.5	3x1.5-8	330x230x600	34	320
50WQD0.75-4P(F)(127V/60Hz)	0.75	1	11	31	10.5	3x1.5-8	330x230x600	34	320
80WQD0.75-4P(127V/60Hz)	0.75	1	11	65	8.5	3x2.5-8	425x320x660	50	160
80WQD0.75-4P(230V/60Hz)	0.75	1	6	65	8.5	3x1-8	425x320x660	50	160
80WQD1.1-4P(127V/60Hz)	1.1	1.5	15.5	72	10.5	3x2.5-8	425x320x660	51	160
80WQD1.1-4P(230V/60Hz)	1.1	1.5	8.5	72	10.5	3x1.5-8	425x320x660	51	160
80WQD1.5-4P(230V/60Hz)	1.5	2	11.5	78	11.5	3x2.5-8	425x320x680	53	160
80WQ1.5-4P(230V/60Hz)	1.5	2	7.5	78	11.5	4x1-8	425x320x650	52	160
80WQ2.2-4P(230V/60Hz)	2.2	3	10.5	88	13	4x1.5-8	425x320x680	56	160



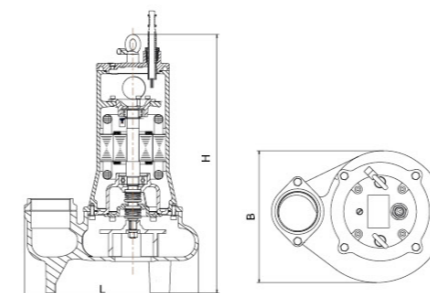
Components & Materials



No.	Part name	No.	Part name	No.	Part name
101	Pump body	412-2	O-ring	812	Head cover
113	Oil chamber	412-3	O-ring	814	Stator core with winding
160	Oil chamber cover	412-4	O-ring	818	Rotor
230	Impeller	433-1	Mechanical seal	822	Upper bearing block
321-1	Deep groove ball bearing	433-2	Mechanical seal	834	Cable
321-2	Deep groove ball bearing	576	Handle	837	Running capacitor
412-1	O-ring	811	Casing	970	Nameplate



50WQ(D)



80WQ(D)

Dimensions & Weight

Model	Dim.(mm)			DN	N.W. (kg)
	L	B	H		
50WQD0.37-4P(127V/60Hz)	300	220	505	NPT2	28
50WQD0.37-4P(F)(127V/60Hz)	300	220	505	NPT2	28
50WQD0.37-4P(230V/60Hz)	300	220	505	NPT2	28
50WQD0.37-4P(F)(230V/60Hz)	300	220	505	NPT2	28
50WQD0.75-4P(230V/60Hz)	300	220	545	NPT2	32
50WQD0.75-4P(F)(230V/60Hz)	300	220	545	NPT2	32
50WQD0.75-4P(127V/60Hz)	300	220	545	NPT2	32
50WQD0.75-4P(F)(127V/60Hz)	300	220	545	NPT2	32
80WQD0.75-4P(127V/60Hz)	385	295	590	NPT3/NPT2	46
80WQD0.75-4P(230V/60Hz)	385	295	590	NPT3/NPT2	47
80WQD1.1-4P(127V/60Hz)	385	295	590	NPT3/NPT2	48
80WQD1.1-4P(230V/60Hz)	385	295	590	NPT3/NPT2	49
80WQD1.5-4P(230V/60Hz)	385	295	620	NPT3/NPT2	50
80WQ1.5-4P(230V/60Hz)	385	295	575	NPT3/NPT2	49
80WQ2.2-4P(230V/60Hz)	385	295	615	NPT3/NPT2	53